

Fig. 1.

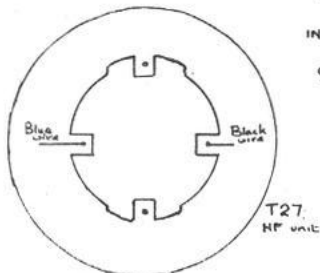
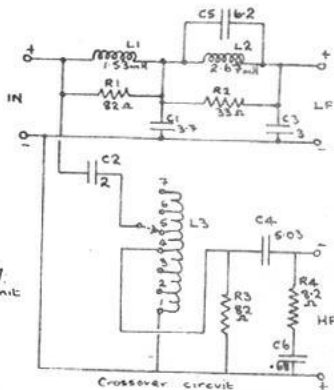


Fig 2.



Crossover circuit

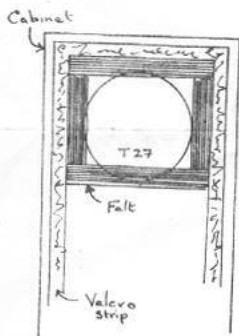


Fig 3a



Fig 3b

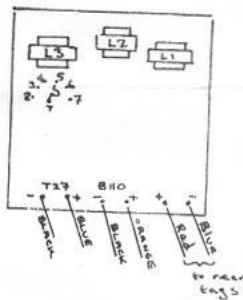


Fig 4

Components

L1 1.53mH
 L2 2.67mH
 L3 Tapped choke

R1 82R 9w
 R2 33R 9w
 R3 82R 3w
 R4 8R2 3w

C1a 2.2uF
 C1b 1.5uF
 C2a 1.0uF
 C2b 1.0uF
 C3a 1.5uF
 C3b 1.5uF
 C4a 4.7uF
 C4b 0.33uF
 C5a 4.7uF
 C5b 1.5uF
 C6 0.68uF

